

DEMOLITION PLAN

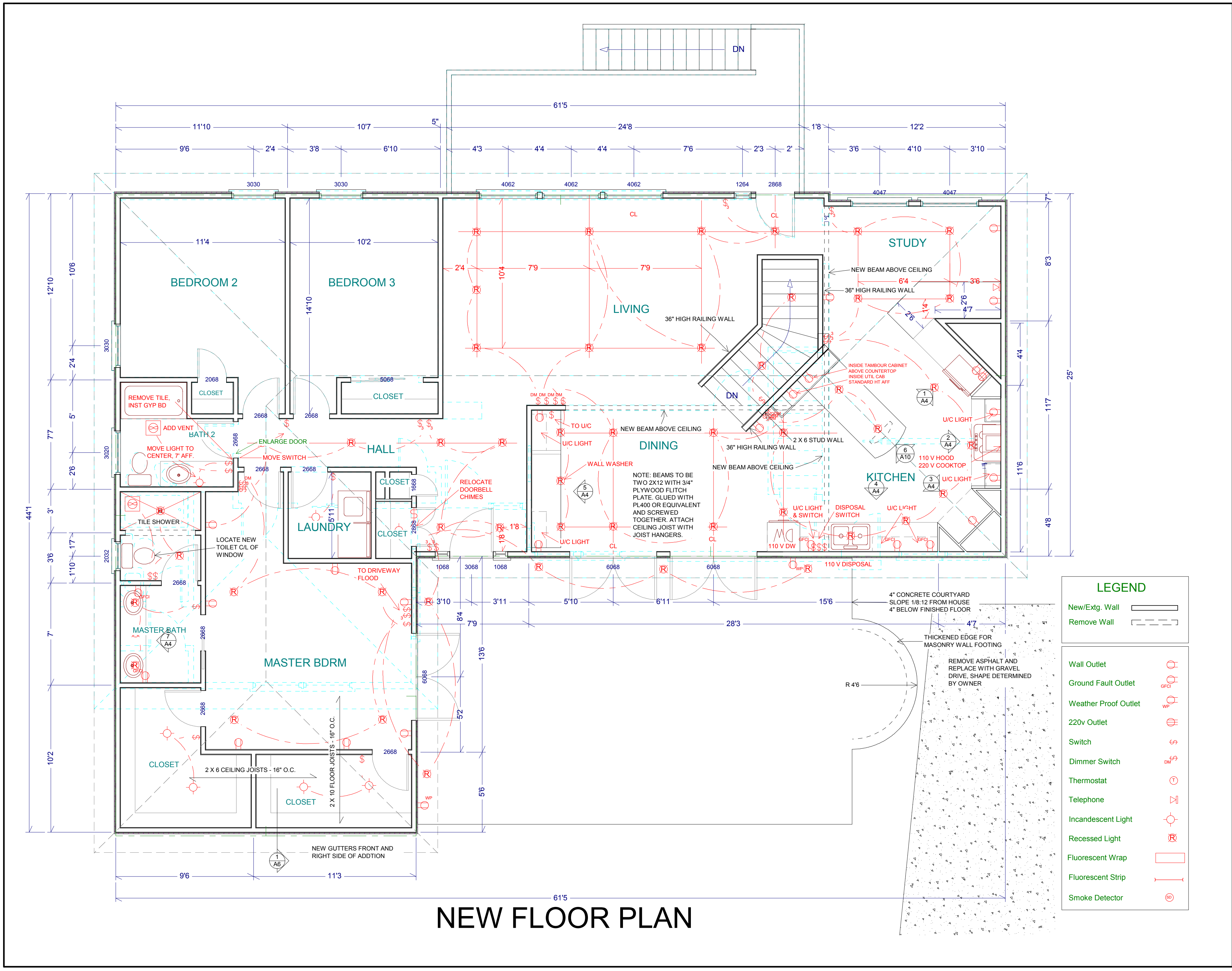
P O Box 157, Chelsea, AL 35043
 (205) 669-3334 (205) 669-7264 fax
 Drawings are property of OakAlley, Inc. protected by copyright law, and may not be reproduced without written permission. Plans are for documentation purposes only and are not to be used for construction except by OakAlley, Inc. No warranty is expressed or implied as to suitability for any other use.



Alterations for the Rose Hill Residence
 1025 Street of Dreams, Birmingham, Alabama

Drawing Date:
23 MAR 2001
 Revision Date:
26 APR 2001
 Job Number:
20560
 Scale:
1/4" = 1'-0"
 Sheet:

A2



NEW FLOOR PLAN

LEGEND	
New/Extg. Wall	
Remove Wall	
Wall Outlet	
Ground Fault Outlet	
Weather Proof Outlet	
220v Outlet	
Switch	
Dimmer Switch	
Thermostat	
Telephone	
Incandescent Light	
Recessed Light	
Fluorescent Wrap	
Fluorescent Strip	
Smoke Detector	

P O Box 157, Chelsea, AL 35043
 (205) 669-3334 (205) 669-7264 fax



Alterations for the Rose Hill Residence 1025 Street of Dreams, Birmingham, Alabama

Drawing Date:
23 MAR 2001

Revision Date:
31 MAY 2001

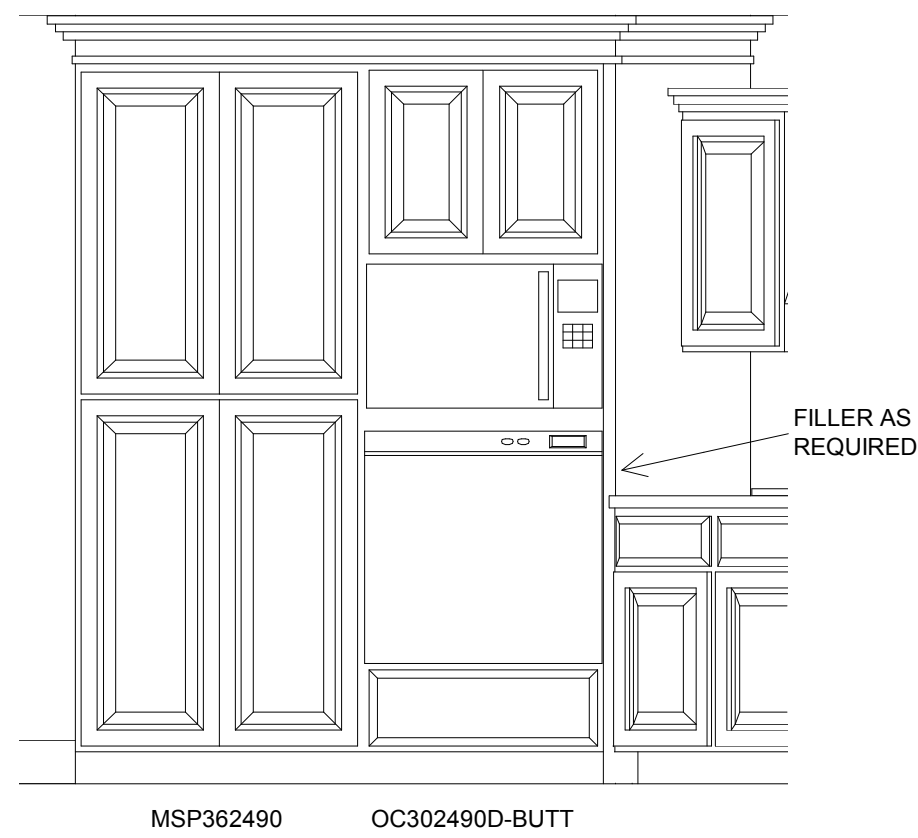
Job Number:
20560

Scale:
1/4" = 1'-0"

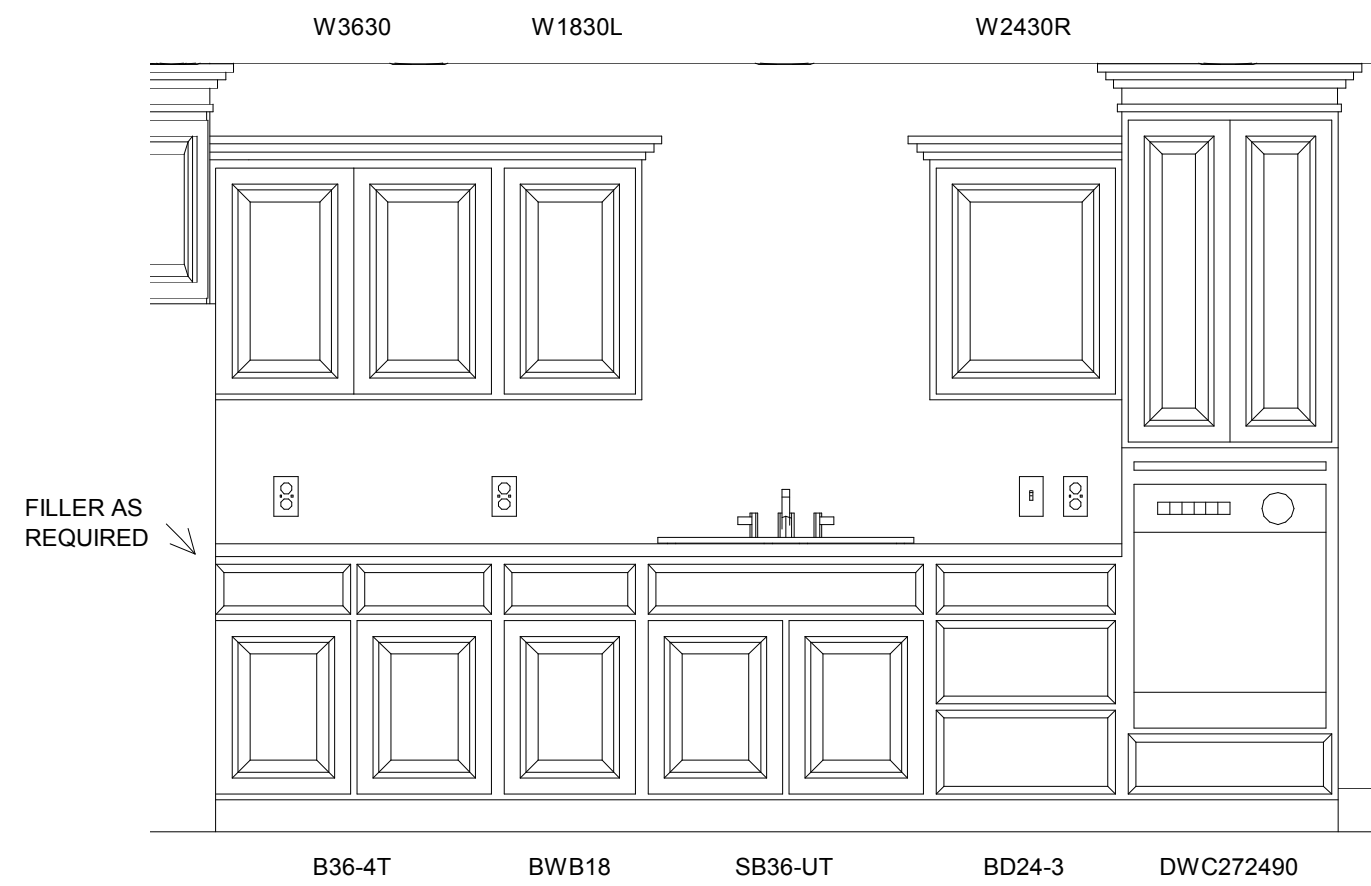
Sheet:

A3

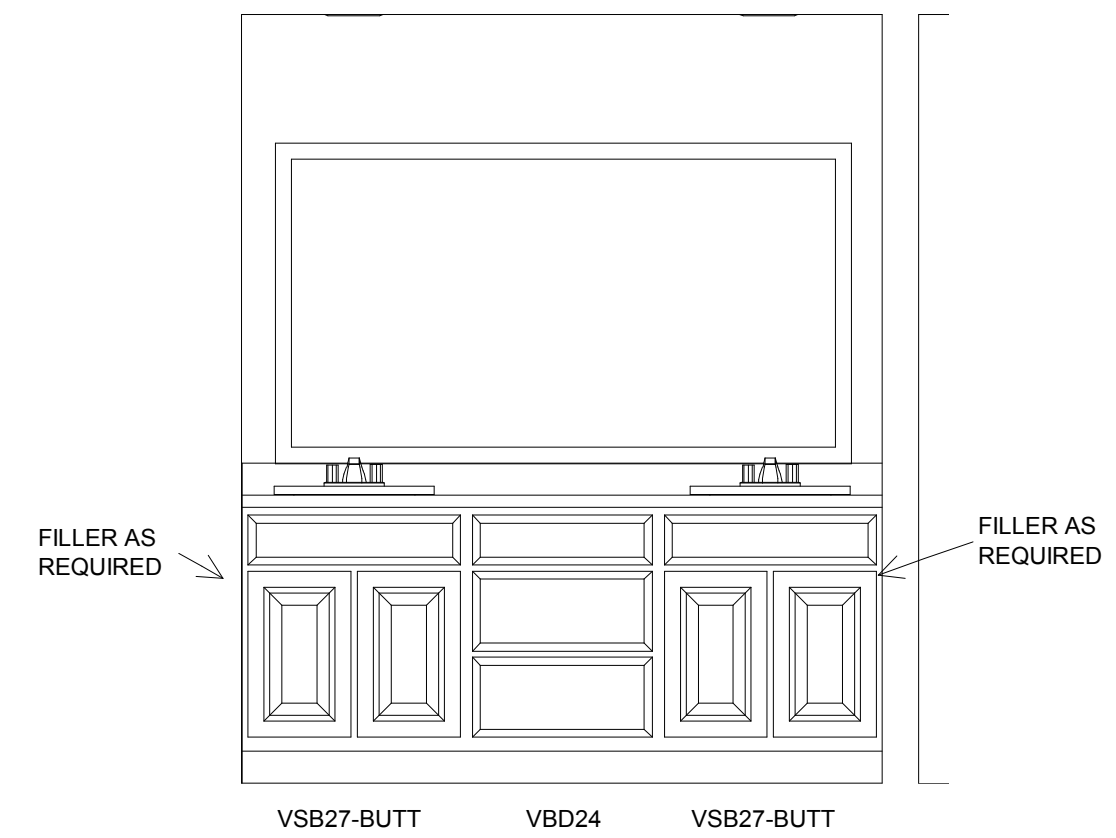
Drawings are property of OakAlley, Inc. and may not be reproduced without written permission. Plans are for documentation purposes only and are not to be used for construction except by OakAlley, Inc. No warranty is expressed or implied as to suitability for any other use.



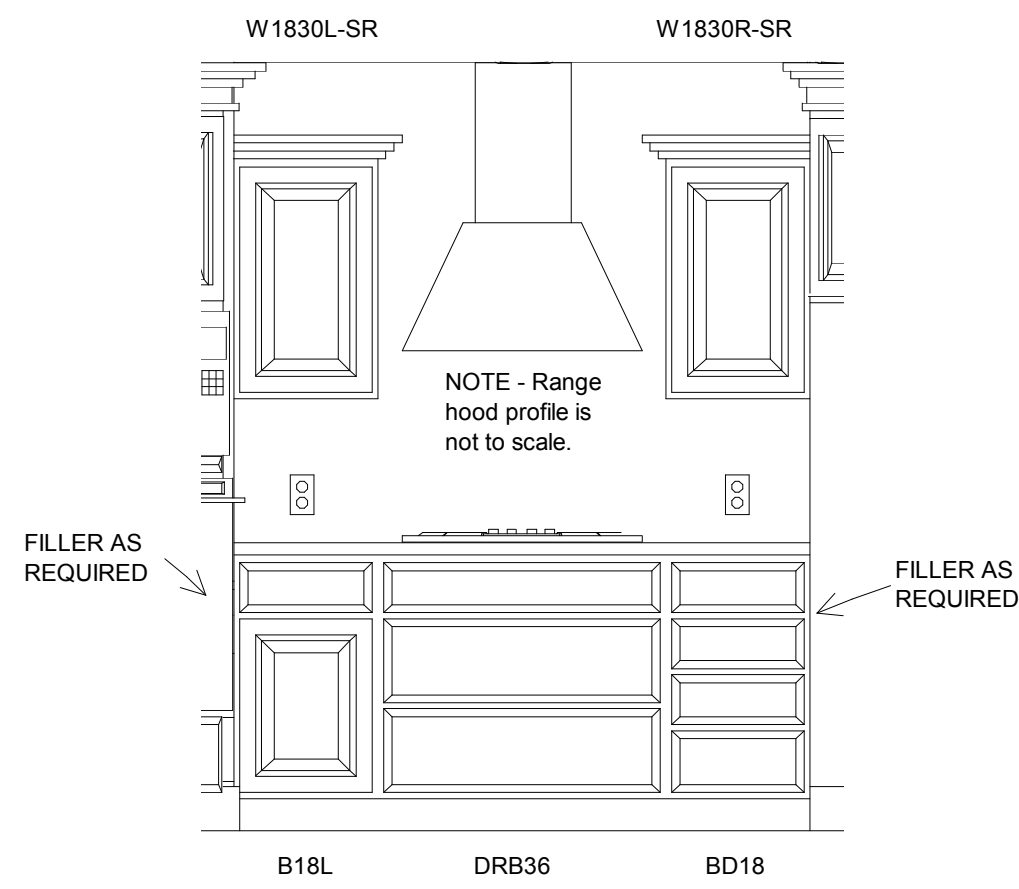
ELEV. 1



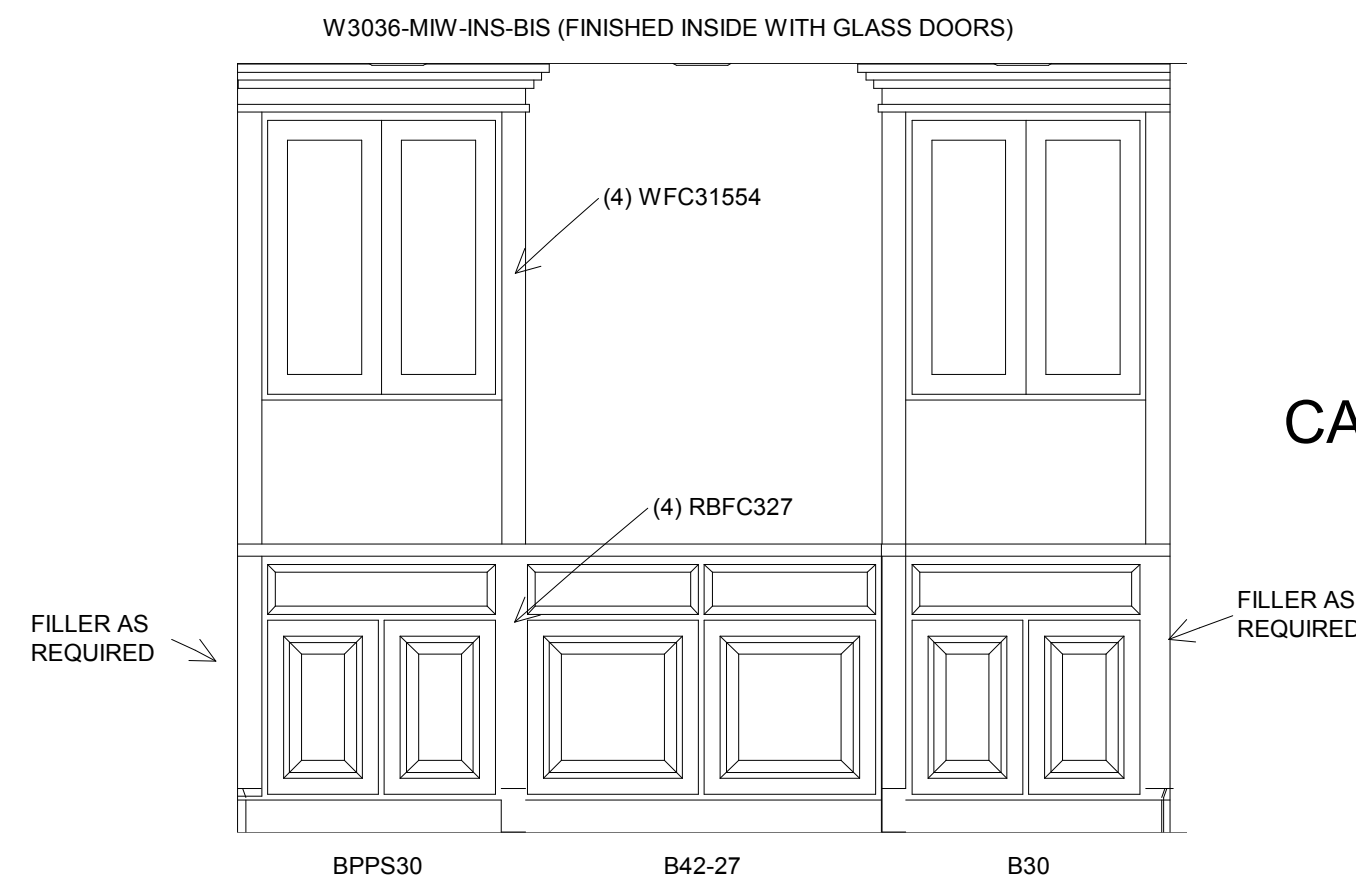
ELEV. 4



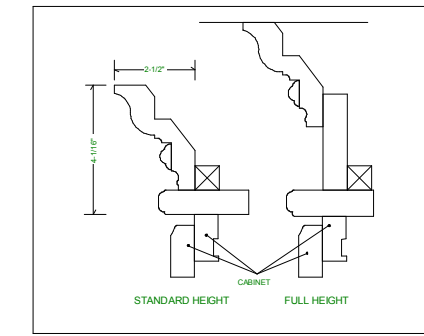
ELEV. 7



ELEV. 2

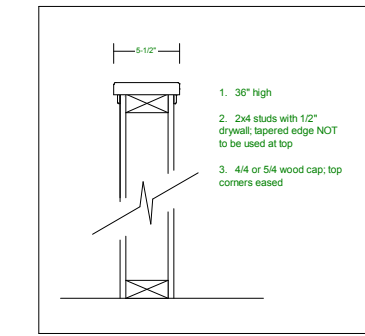


ELEV. 5



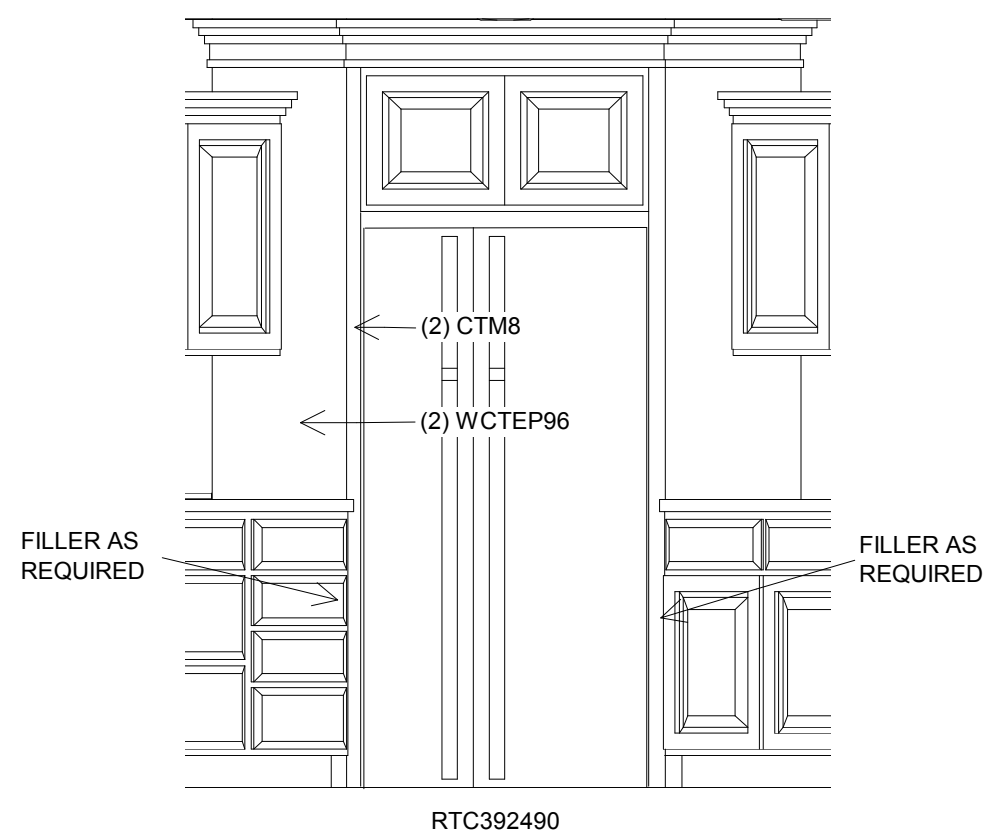
CABINET CROWN DETAIL

SCALE 1:6

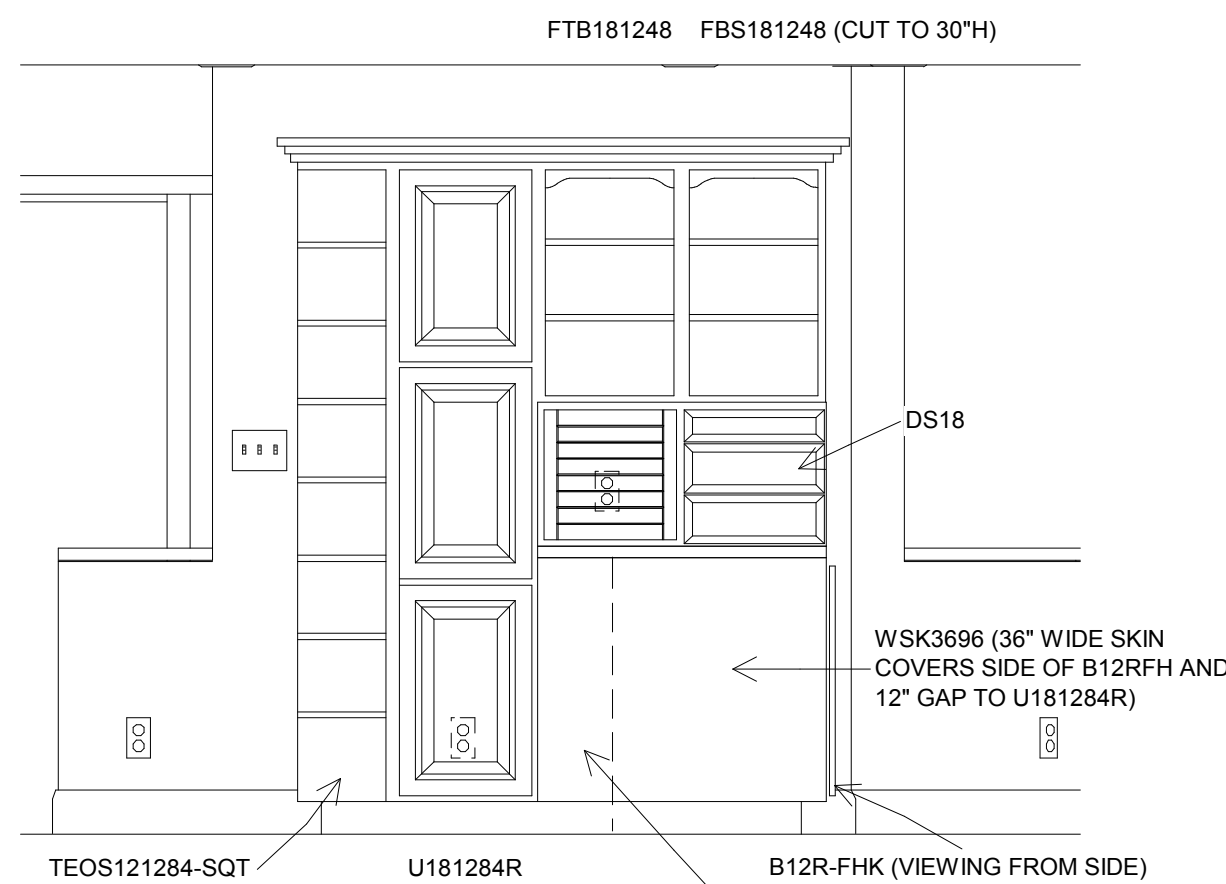


WALL RAIL DETAIL

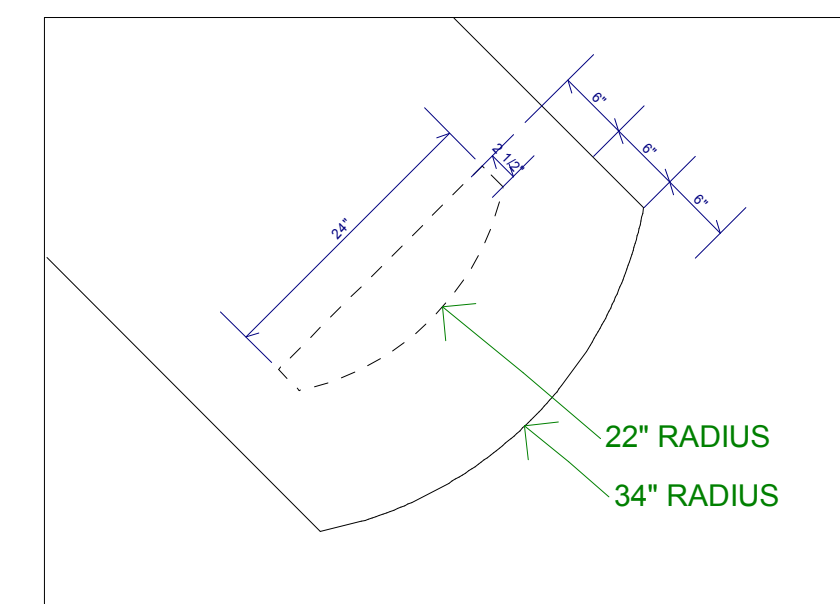
SCALE 3/4" = 1' - 0"



ELEV. 3



ELEV. 6



DETAIL OF BAR LEG

SCALE 3/4" = 1'-0"



P O Box 157, Chelsea, AL 35043
 (205) 669-3334 (205) 669-7264 fax
 Drawings are property of OakAlley, Inc. protected by
 copyright law, and may not be reproduced without written
 permission. Plans are for documentation purposes only
 and are not to be used for construction except by
 OakAlley, Inc. No warranty is expressed or implied as to
 suitability for any other use.



Alterations for the Rose Hill Residence
 1025 Street of Dreams, Birmingham, Alabama

Drawing Date:
 23 MAR 2001
 Revision Date:
 26 APR 2001
 Job Number:
 20560
 Scale:
 NTS
 Sheet:

A7